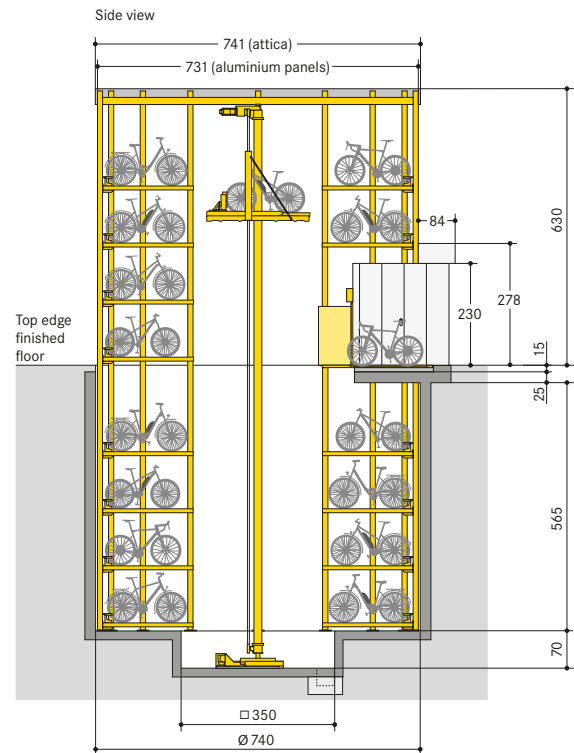
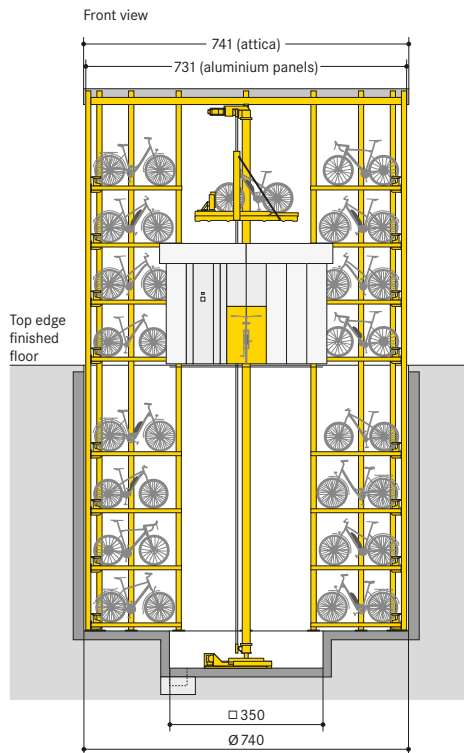
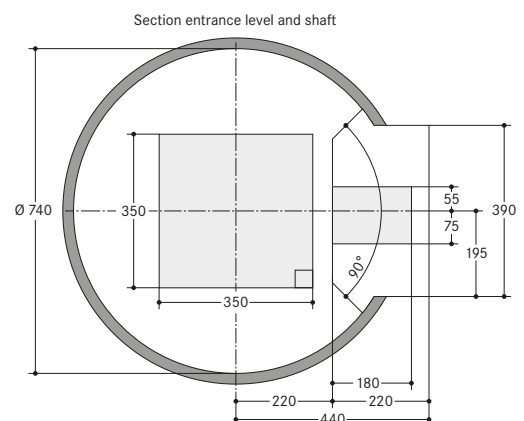
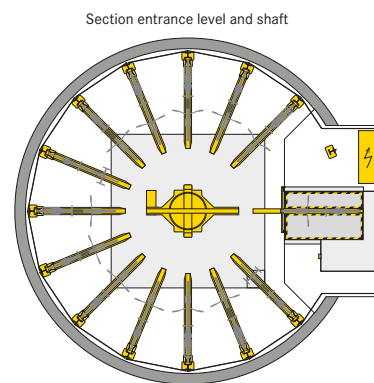
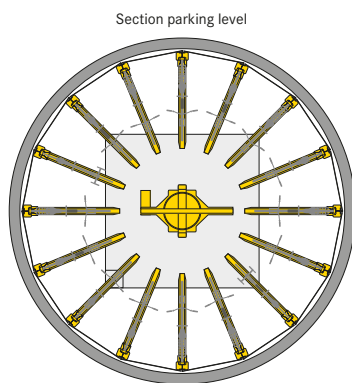


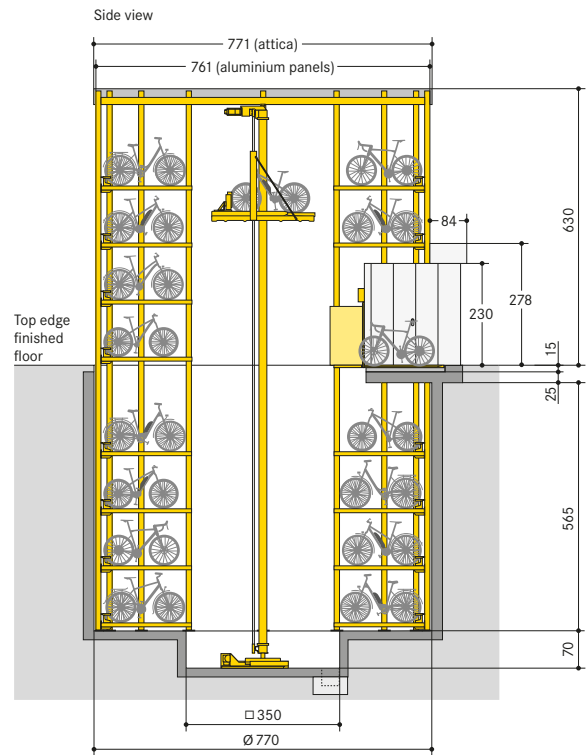
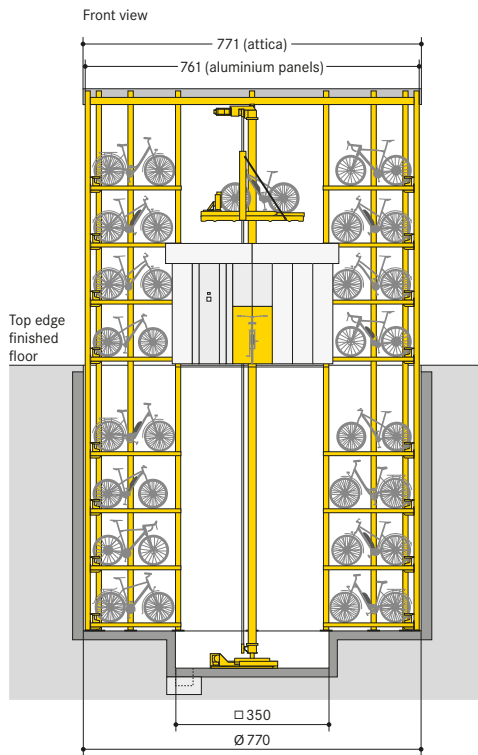
■ WÖHR Bikesafe 885/16 (122 parking places), handlebar width 76 cm



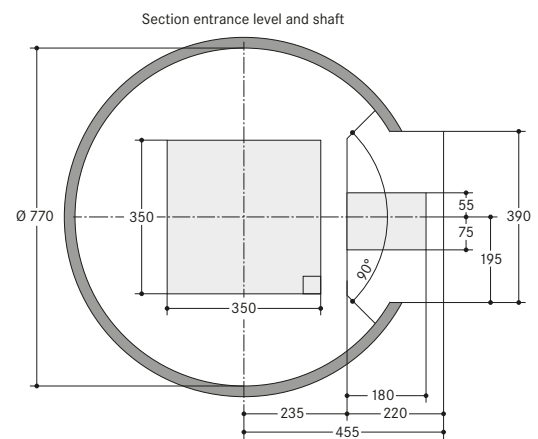
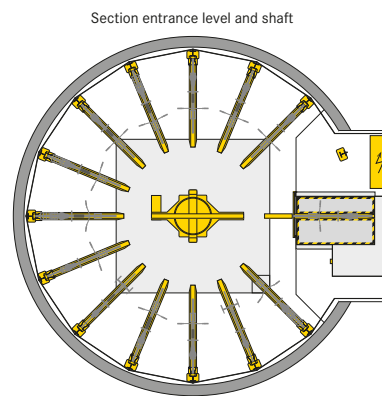
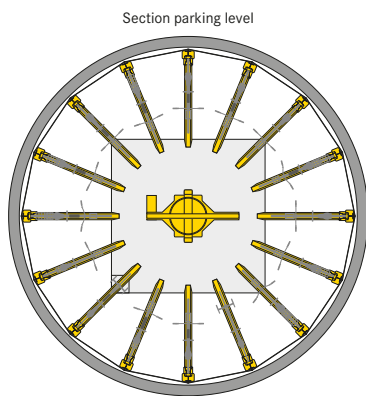
Note: if possible, provide an access door in the shaft area.



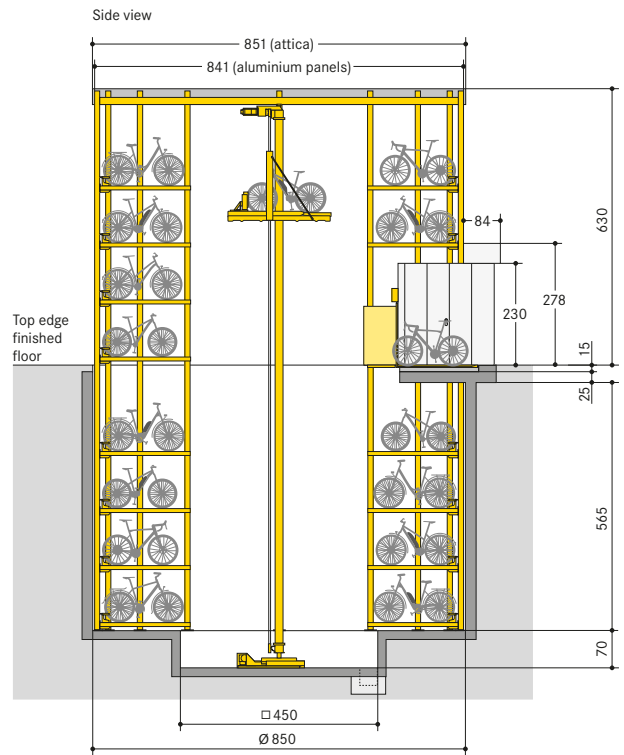
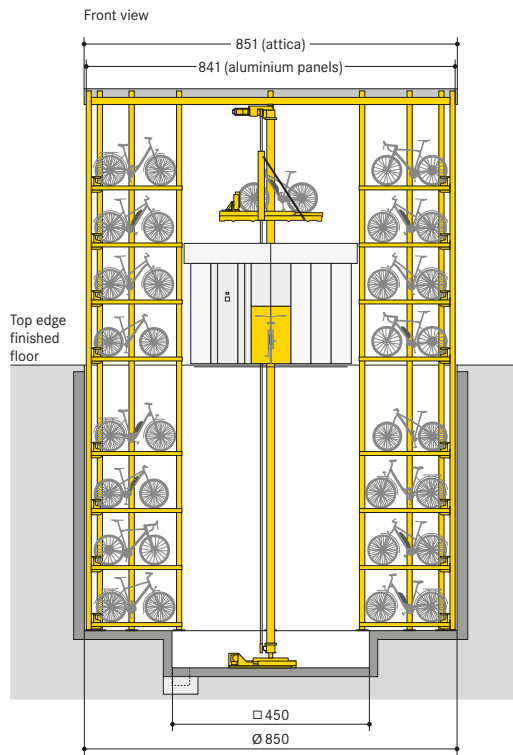
■ WÖHR Bikesafe 885/16 (122 parking places), handlebar width 83 cm



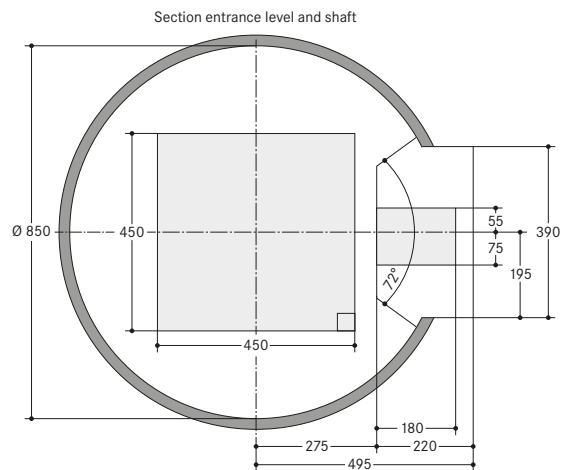
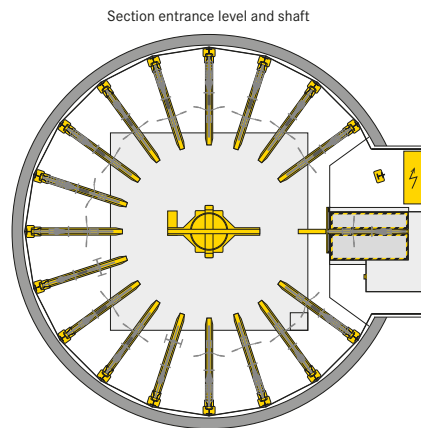
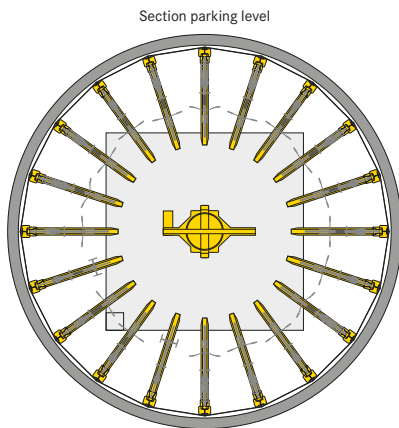
Note: if possible, provide an access door in the shaft area.



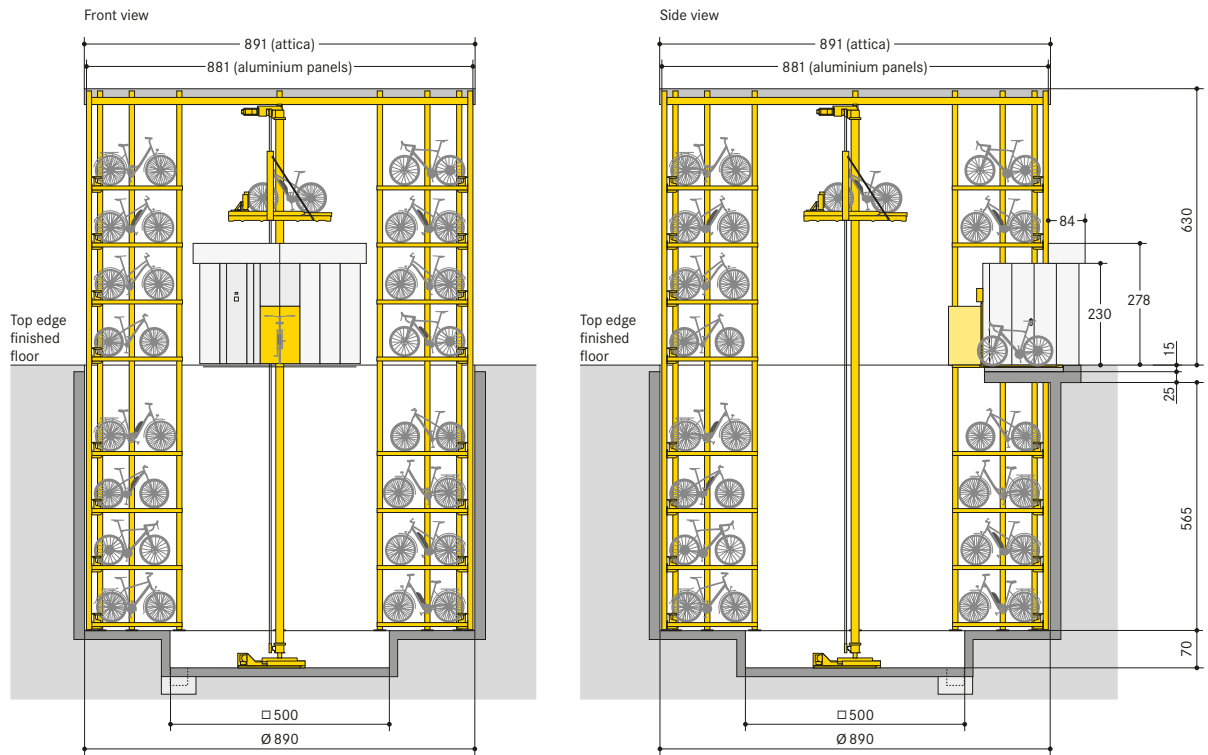
■ WÖHR Bikesafe 885/20 (154 parking places), handlebar width 76 cm



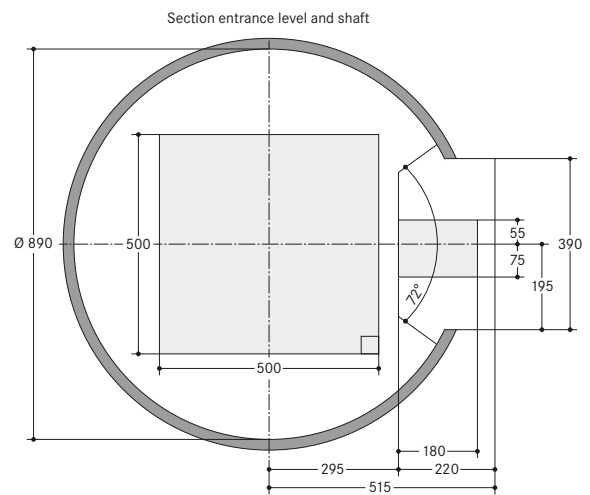
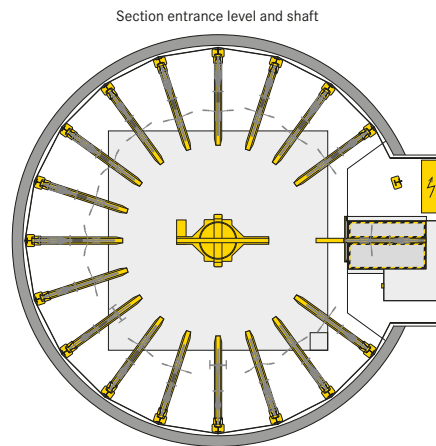
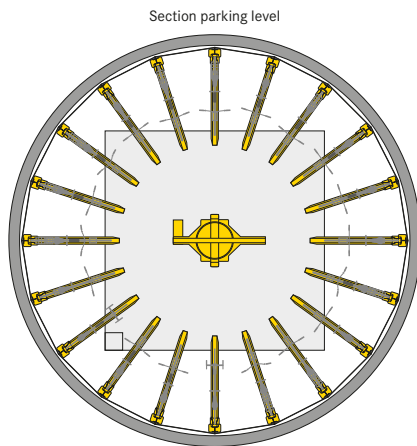
Note: if possible, provide an access door in the shaft area.



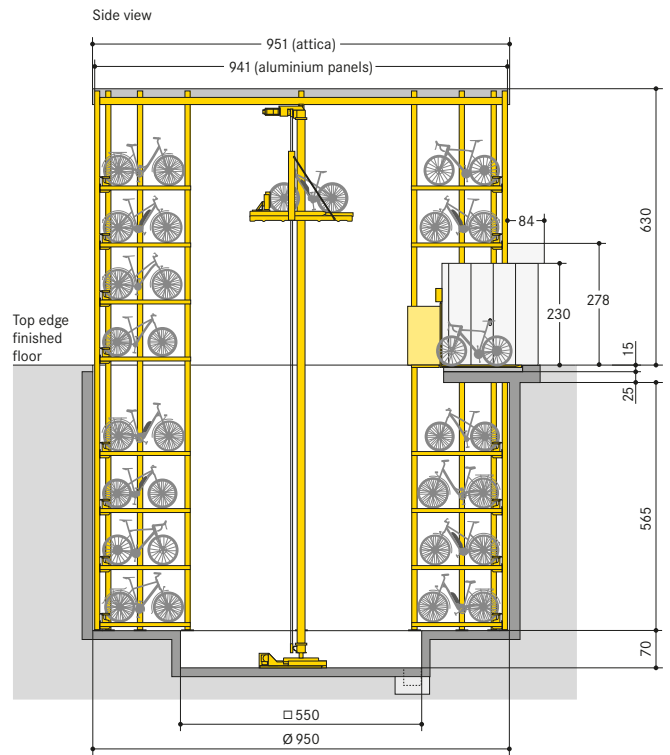
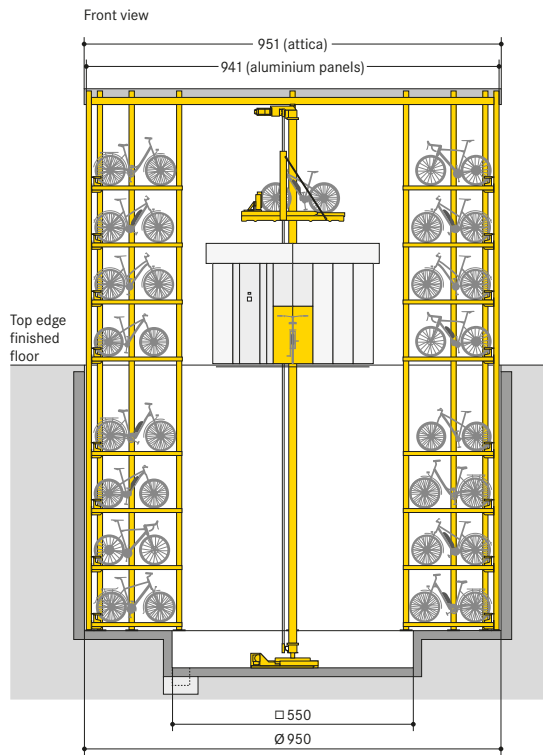
■ WÖHR Bikesafe 885/20 (154 parking places), handlebar width 83 cm



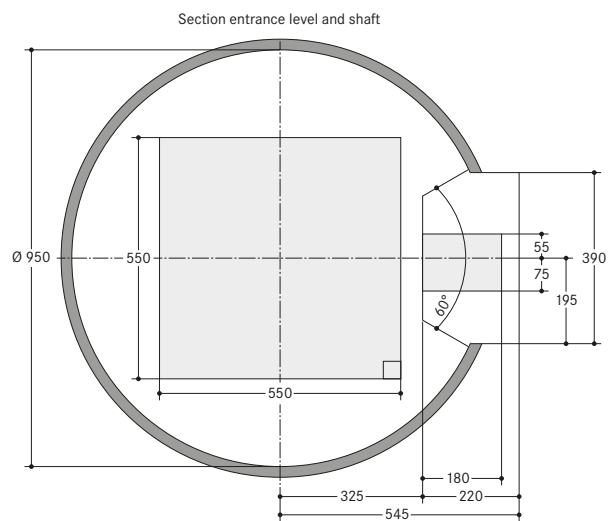
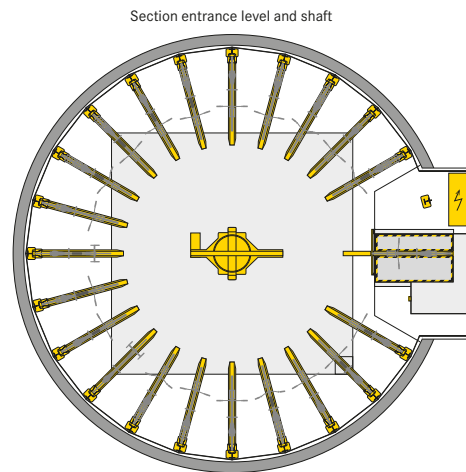
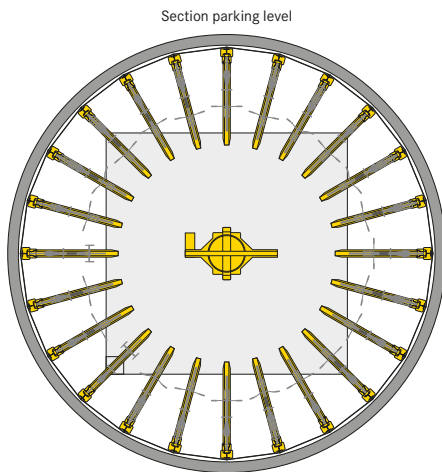
Note: if possible, provide an access door in the shaft area.



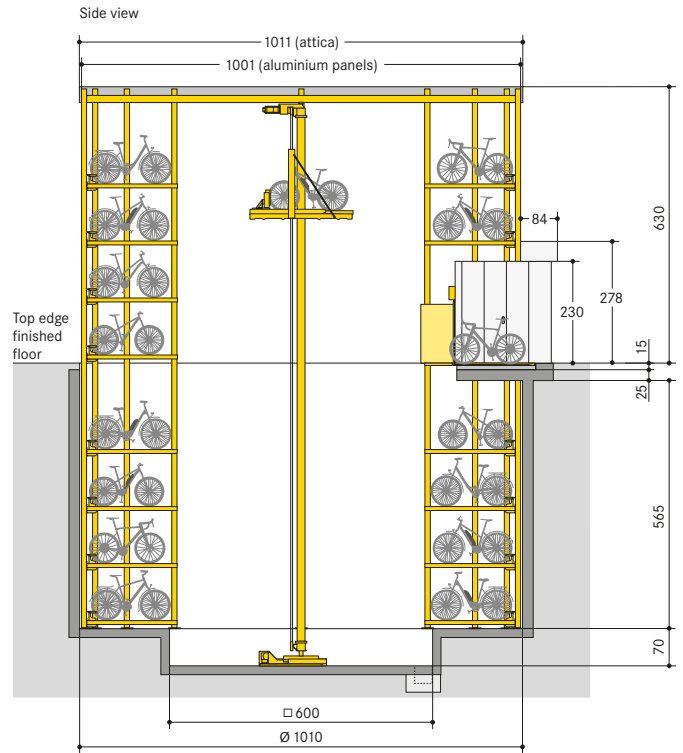
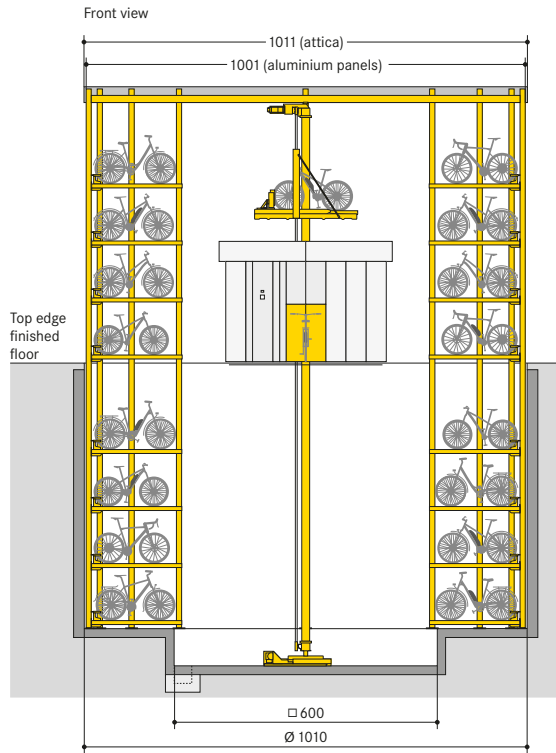
■ WÖHR Bikesafe 885/24 (186 parking places), handlebar width 76 cm



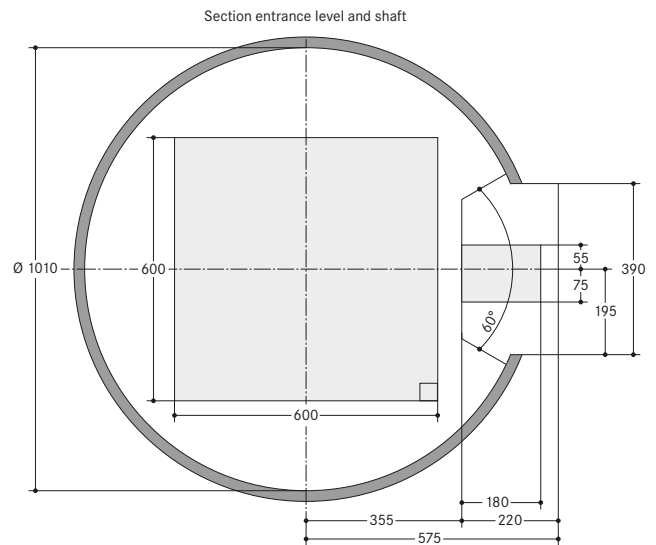
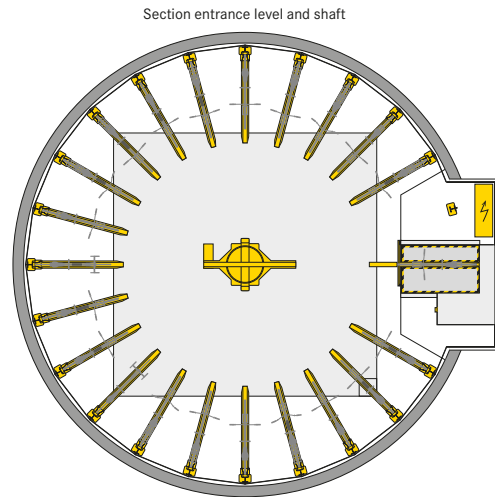
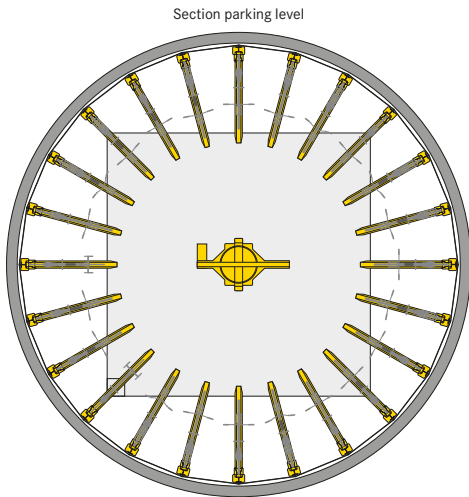
Note: if possible, provide an access door in the shaft area.



■ WÖHR Bikesafe 885/24 (186 parking places), handlebar width 83 cm



Note: if possible, provide an access door in the shaft area.



■ Dimensions

- all dimensions are minimum, finished dimensions
- tolerances must be taken into consideration
- all dimensions are given in cm